

Series 22X ATC® Circuit Breakers
Auto & Modified Reset

SPECIFICATIONS

Single Pole Thermal Type Breakers

Ratings: 7.5A, 10A, 15A, 20A, 25A, 30A;

Voltage of 14VDC; 24VDC on 223 Series.

Operating Temperature: -40°F (-40°C) to 185°F (85°C).

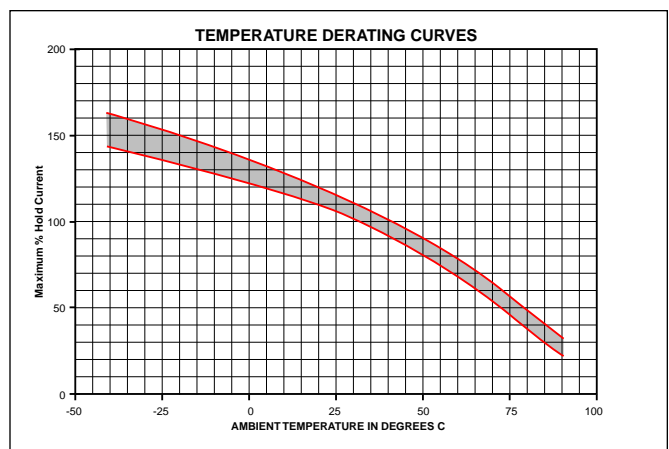
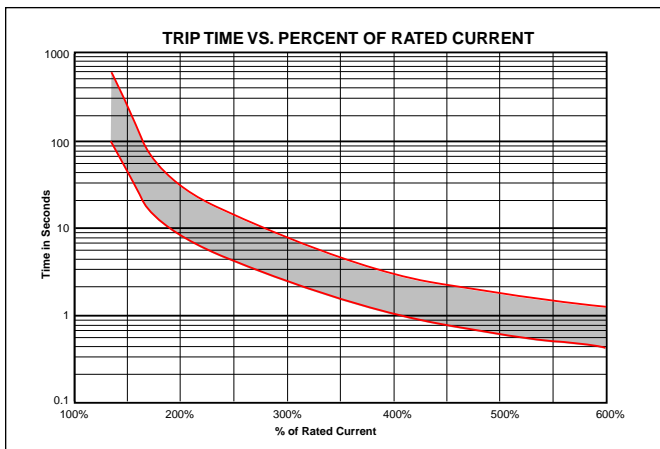
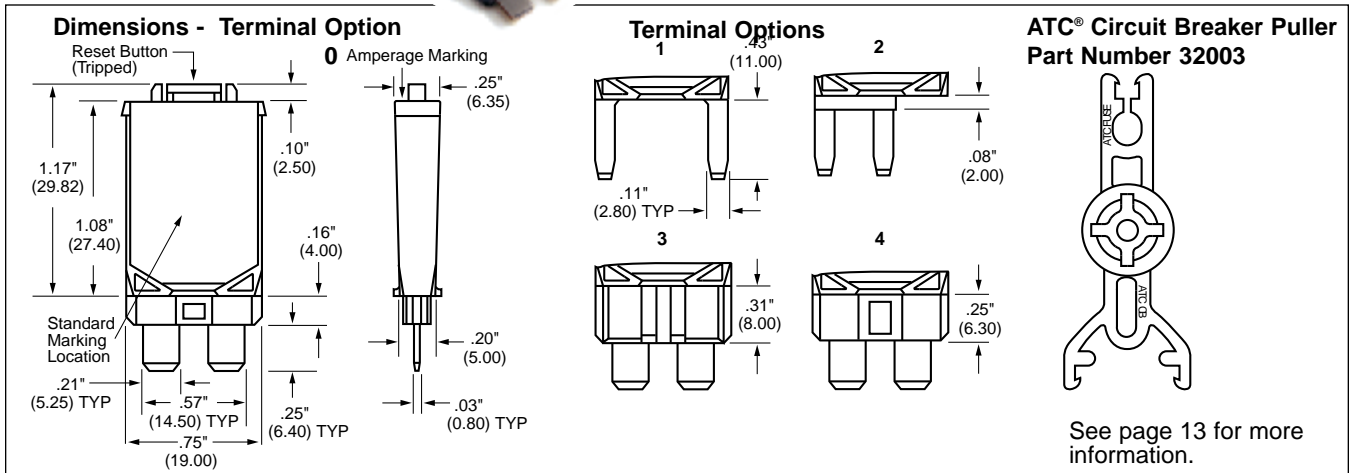
Storage Temperature: -40°F (-40°C) to 260°F (125°C).

Cover: Gray 94VO Thermoplastic housing with standard gold cover (Type I) or silver cover (Type II and Type III).

Marking: Standard marking includes amp/volt ratings, part number, and date code. Type III Reset Buttons are color-coded to amperage ratings. OCR marking is available.

Termination Type: Compatible with 280 Type or ATC fuse blocks.

Approvals: Complies with the requirements of SAE standard J553 Type I, Type II, and Type III Circuit Breakers.



PART NUMBERING SYSTEM

Series	Rating	Terminal	Marking
221 - Type I, 14VDC	7.5 - 7.5 amps	0 - ATC Fuse, 4mm Insertion Depth	00 - Std. Marking
222 - Type II, 14VDC	10 - 10 amps	1 - 16.2mm Centerline 280	
223 - Type III, 24VDC	15 - 15 amps	2 - 8.1mm Centerline 280 (MINI)	
	20 - 20 amps	3 - ATC Fuse, Delphi Packard Autofuse Block (e.g. 12004943)	
	25 - 25 amps	4 - ATC Fuse, Blocks with Raised Shrouds, 6.4mm Insertion Depth	
	30 - 30 amps		